



PROCRAFT
CABINETS

PROCRAFT SPECIFICATION GUIDE | 2021

Professionally
Crafted Cabinets

TABLE OF CONTENTS

03

CABINET
CONSTRUCTION

40

VANITY DESIGN
AND SPECIFICATIONS

04

WALL CABINET DESIGN
AND SPECIFICATIONS

45

ACCESSORIES

22

BASE CABINET DESIGN
AND SPECIFICATIONS

59

MODIFICATIONS

35

TALL CABINET DESIGN
AND SPECIFICATIONS

CABINET CONSTRUCTION



$\frac{5}{8}$ " solid wood dovetail construction on all sides of drawer box with UV clear coat on all exposed surfaces. Drawer glides are all steel constructed soft-close mechanisms. $\frac{3}{8}$ " plywood drawer bottom.

Inside, a solid wood corner bracket for extra stability.

Inside, $\frac{1}{2}$ " plywood panel dadoes into face frame. Side reveal is $\frac{1}{4}$ " before skin is applied.



$\frac{3}{4}$ " adjustable plywood shelf, finished with birch wood veneer top and bottom edge banded on the front leading edge.

$\frac{1}{2}$ " furniture-grade plywood coated with UV clear coat.

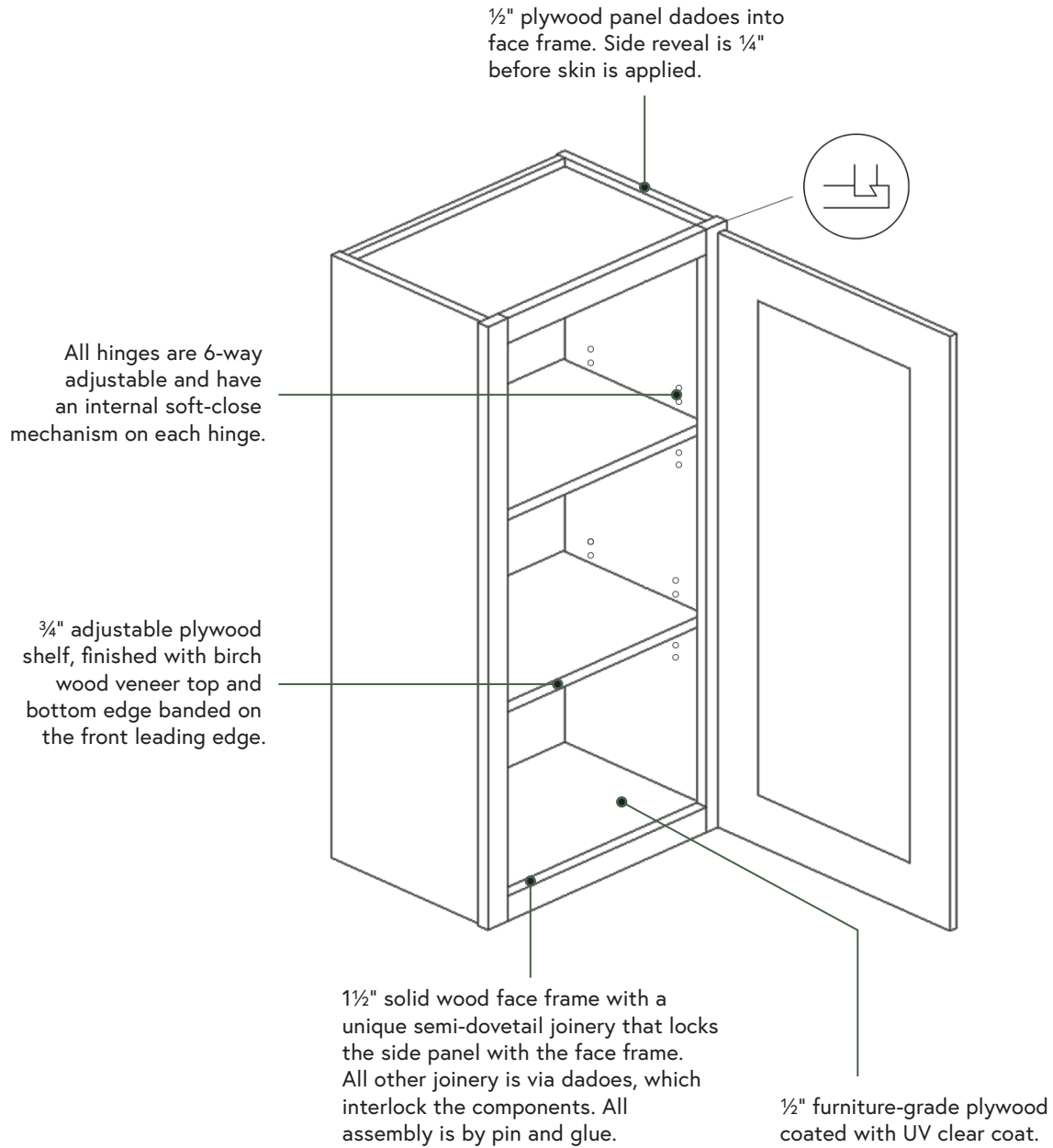
All hinges are 6-way adjustable and have an internal soft-close mechanism on each hinge.

$4\frac{1}{2}$ " high x $2\frac{1}{2}$ " deep, $\frac{1}{2}$ " thick toe boards.



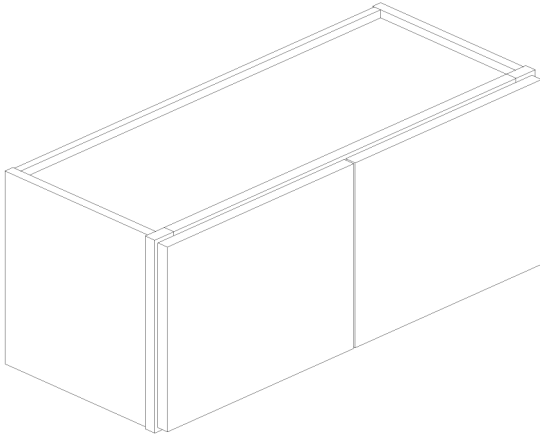
WALL CABINET DESIGN AND SPECIFICATIONS

WALL CABINET SPECIFICATIONS



12/15/18/21/24" HIGH

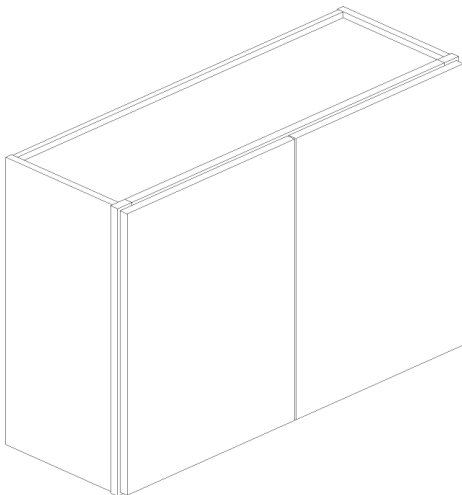
WALL CABINETS



DOUBLE DOOR

WxHxD	SKU
30"x12"x12"	W3012
30"x15"x12"	W3015
30"x18"x12"	W3018
30"x21"x12"	W3021
33"x12"x12"	W3312
36"x12"x12"	W3612
36"x15"x12"	W3615
36"x18"x12"	W3618
36"x21"x12"	W3621

Modifications available.



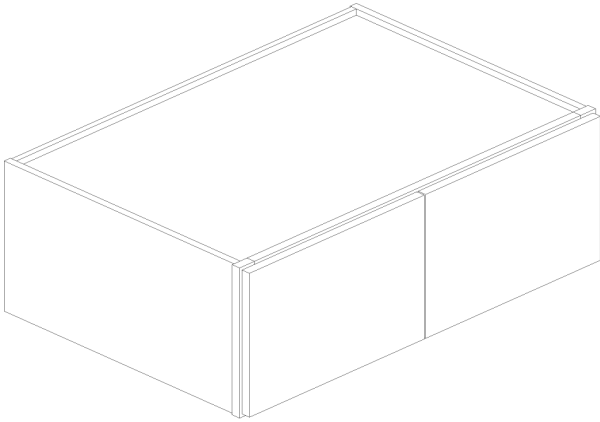
DOUBLE DOOR,
SINGLE SHELF

WxHxD	SKU
30"x24"x12"	W3024
33"x24"x12"	W3324
36"x24"x12"	W3624

Modifications available.

24" DEEP

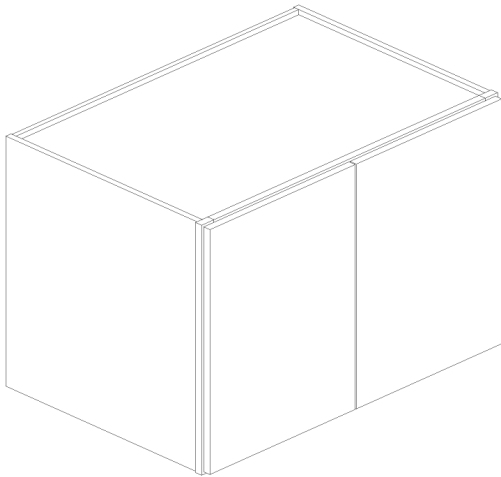
WALL CABINETS



DOUBLE DOOR

WxHxD	SKU
36"x12"x24"	W361224
36"x15"x24"	W361524
36"x18"x24"	W361824
36"x21"x24"	W362124
42"x12"x24"	W421224
48"x12"x24"	W481224

Modifications available.



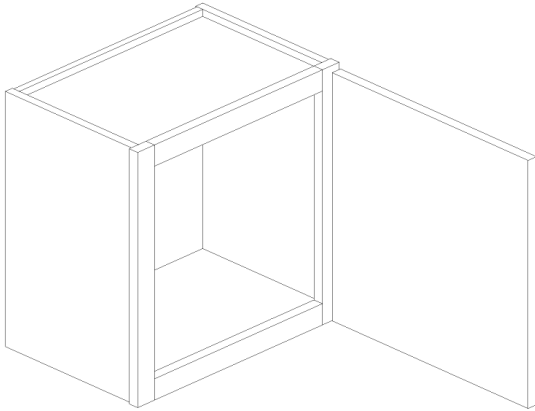
DOUBLE DOOR,
SINGLE SHELF

WxHxD	SKU
36"x24"x24"	W362424

Modifications available.

18" HIGH

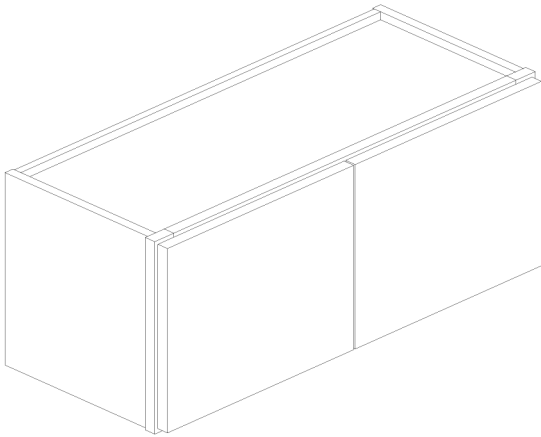
WALL CABINETS



SINGLE DOOR

WxHxD	SKU
12"x18"x12"	W1218
15"x18"x12"	W1518
18"x18"x12"	W1818
21"x18"x12"	W2118

Modifications available.



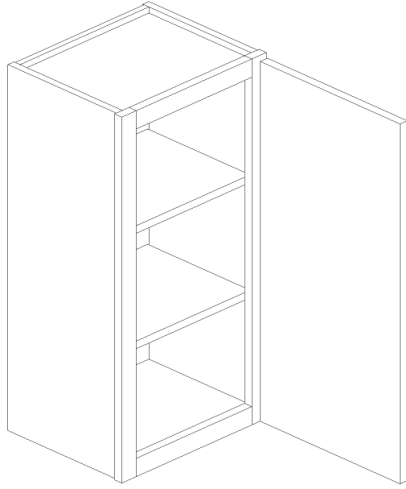
DOUBLE DOOR

WxHxD	SKU
24"x18"x12"	W2418
27"x18"x12"	W2718
30"x18"x12"	W3018
33"x18"x12"	W3318
36"x18"x12"	W3618

Modifications available.

30" HIGH

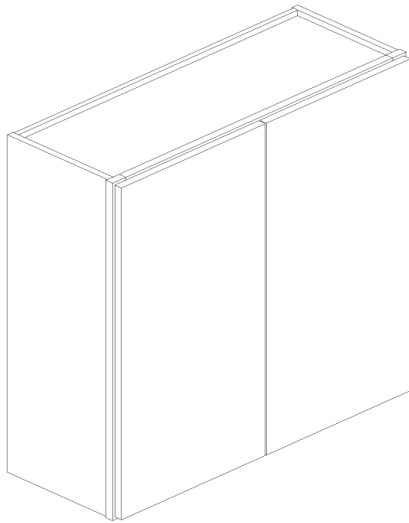
WALL CABINETS



SINGLE DOOR,
DOUBLE SHELF

WxHxD	SKU
9"x30"x12"	W0930
12"x30"x12"	W1230
15"x30"x12"	W1530
18"x30"x12"	W1830
21"x30"x12"	W2130

Modifications available.



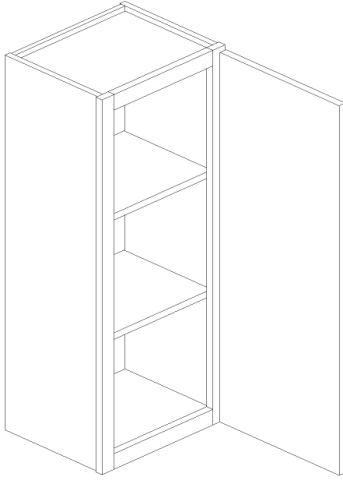
DOUBLE DOOR,
DOUBLE SHELF

WxHxD	SKU
24"x30"x12"	W2430
27"x30"x12"	W2730
30"x30"x12"	W3030
33"x30"x12"	W3330
36"x30"x12"	W3630
39"x30"x12"	W3930
42"x30"x12"	W4230

Modifications available.

36" HIGH

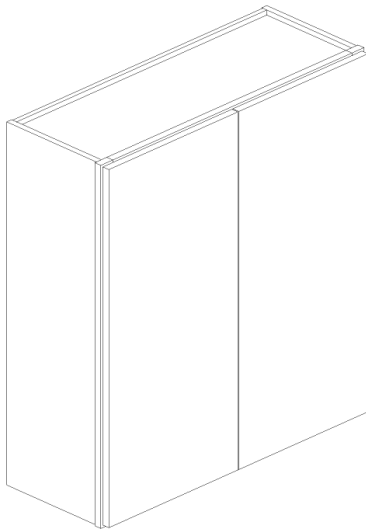
WALL CABINETS



SINGLE DOOR,
DOUBLE SHELF

WxHxD	SKU
9"x36"x12"	W0936
12"x36"x12"	W1236
15"x36"x12"	W1536
18"x36"x12"	W1836
21"x36"x12"	W2136

Modifications available.



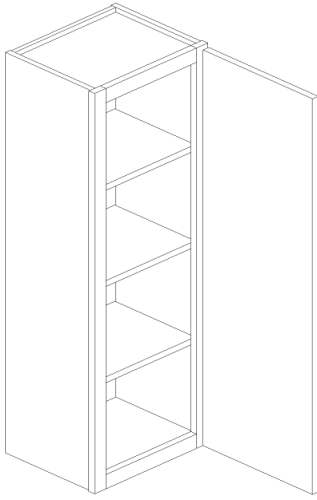
DOUBLE DOOR,
DOUBLE SHELF

WxHxD	SKU
24"x36"x12"	W2436
27"x36"x12"	W2736
30"x36"x12"	W3036
33"x36"x12"	W3336
36"x36"x12"	W3636
39"x36"x12"	W3936
42"x36"x12"	W4236

Modifications available.

42" HIGH

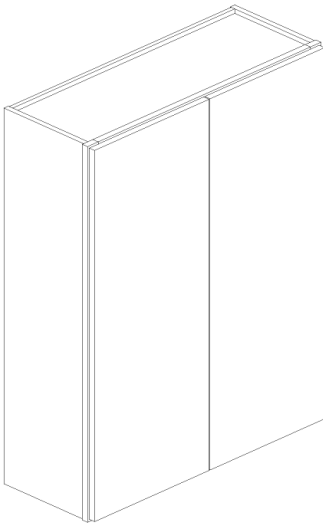
WALL CABINETS



SINGLE DOOR,
TRIPLE SHELF

WxHxD	SKU
9"x42"x12"	W0942
12"x42"x12"	W1242
15"x42"x12"	W1542
18"x42"x12"	W1842
21"x42"x12"	W2142

Modifications available.



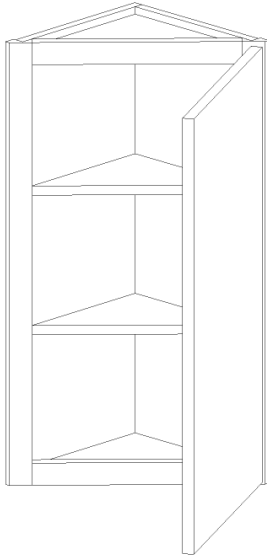
DOUBLE DOOR,
TRIPLE SHELF

WxHxD	SKU
24"x42"x12"	W2442
27"x42"x12"	W2742
30"x42"x12"	W3042
33"x42"x12"	W3342
36"x42"x12"	W3642
39"x42"x12"	W3942
42"x42"x12"	W4242

Modifications available.

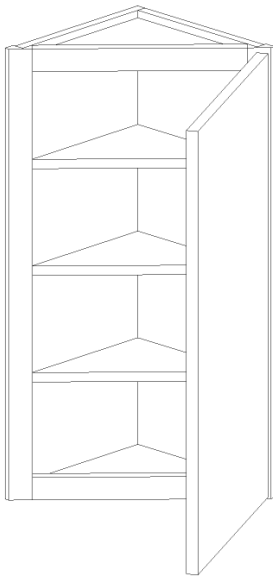
WALL ANGLE

END-OF-RUN CABINETS



WxHxD	SKU
12"x30"x12"	WAE30
12"x36"x12"	WAE36

Comes standard with finished interior.

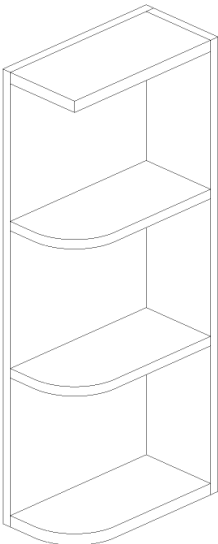


WxHxD	SKU
12"x42"x12"	WAE42

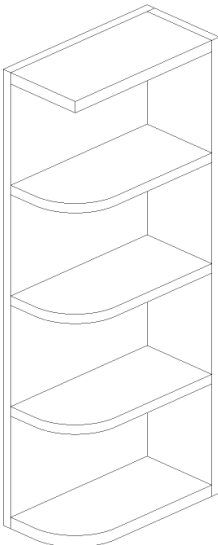
Comes standard with finished interior.

WALL OPEN SHELF

END-OF-RUN CABINETS



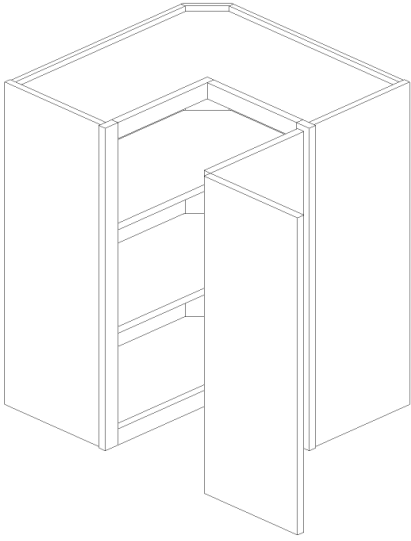
WxHxD	SKU
12"x30"x6"	WOES0630
12"x36"x6"	WOES0636



WxHxD	SKU
12"x42"x6"	WOES0642

SQUARE

WALL CORNER CABINETS

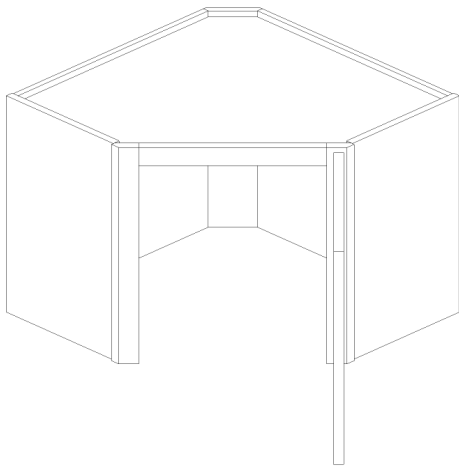


WxHxD	SKU
24"x30"x24"	WSC2430
24"x36"x24"	WSC2436
24"x42"x24"	WSC2442

Modifications available.
30" and 36" high cabinets have two shelves.
42" high cabinets have three shelves.

24" DIAGONAL CORNER APPLIANCE GARAGE

WALL CORNER CABINETS

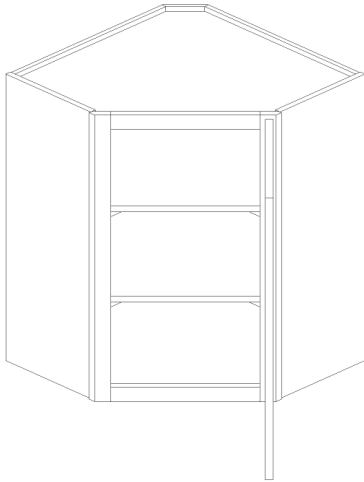


WxHxD	SKU
24"x18"x24"	WDC2418G

Modifications available.
Does not have bottom rail or floor.

DIAGONAL

WALL CORNER CABINETS

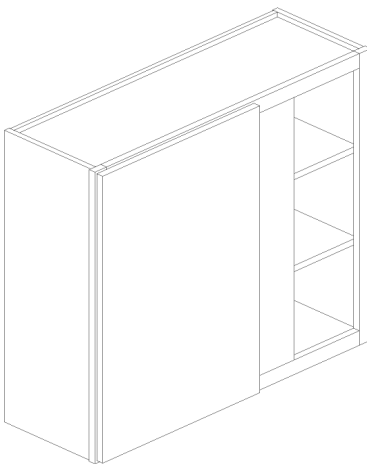


WxHxD	SKU
24"x18"x24"	WDC2418
24"x30"x24"	WDC2430
24"x36"x24"	WDC2436
24"x42"x24"	WDC2442
27"x36"x27"	WDC273615
27"x42"x27"	WDC274215

Modifications available.
 18" high has no shelf.
 30" and 36" high cabinets have two shelves.
 42" high cabinets have three shelves.

WALL BLIND

CORNER CABINETS



TECHNICAL SPECS

WBC30

Door Opening 11.5"
 Center Stile 6.5"
 Blind Opening 9"

WBC36

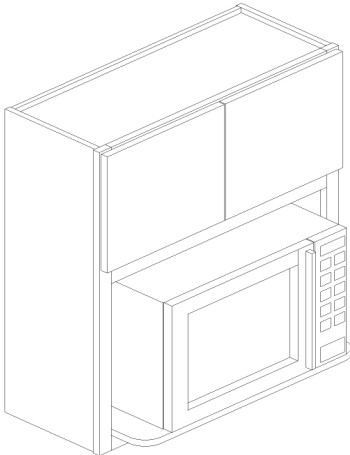
Door Opening 17.5"
 Center Stile 6.5"
 Blind Opening 9"

WxHxD	SKU
30"x30"x12"	WBC3030
30"x36"x12"	WBC3630
36"x30"x12"	WBC3036
36"x36"x12"	WBC3636
30"x42"x12"	WBC3042
36"x42"x12"	WBC3642

Modifications available.
 Right hinge cabinet shown.
 3" filler required adjacent to blind corner.
 30" and 36" high cabinets have two shelves.
 42" high cabinets have three shelves.
 Can be pulled up to 3" from wall.

MICROWAVE

WALL CABINET

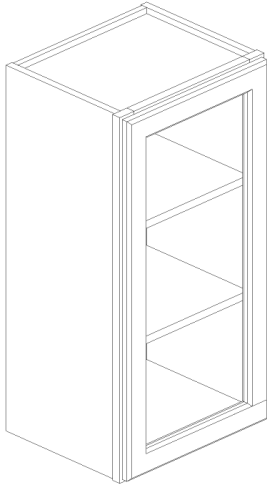


WxHxD	SKU
30"x30"x12"	WMO3030
30"x36"x12"	WMO3036
30"x42"x12"	WMO3042

Modifications available.
Comes standard with finished interior.
Removable shelf is 17" deep.
Microwave opening is 27" wide by 16.5" high.

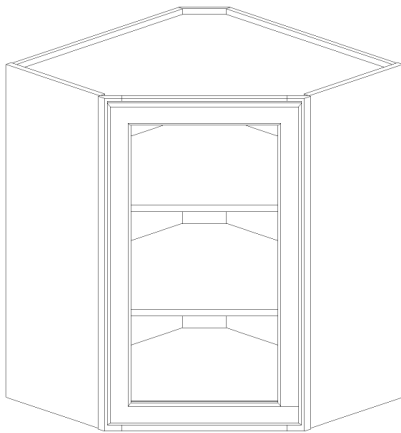
GLASS DOOR

WALL CABINETS



WxHxD	SKU
15"x30"x12"	W1530GD
15"x36"x12"	W1536GD
15"x42"x12"	W1542GD
24"x30"x12"	W2430GD
24"x36"x12"	W2436GD
24"x42"x12"	W2442GD
30"x30"x12"	W3030GD
30"x36"x12"	W3036GD
30"x42"x12"	W3042GD

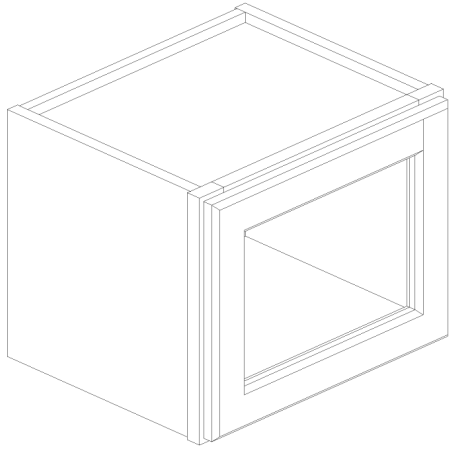
Modifications available.
 Glass not included. Interior finished upon request.
 30" and 36" high cabinets have two shelves.
 42" high cabinets have three shelves.



WxHxD	SKU
24"x30"x12"	WDC2430GD
24"x36"x12"	WDC2436GD
24"x42"x12"	WDC2442GD
27"x36"x15"	WDC273615GD
27"x42"x15"	WDC274215GD

Modifications available.
 Glass not included. Interior finished upon request.
 30" and 36" high cabinets have two shelves.
 42" high cabinets have three shelves.

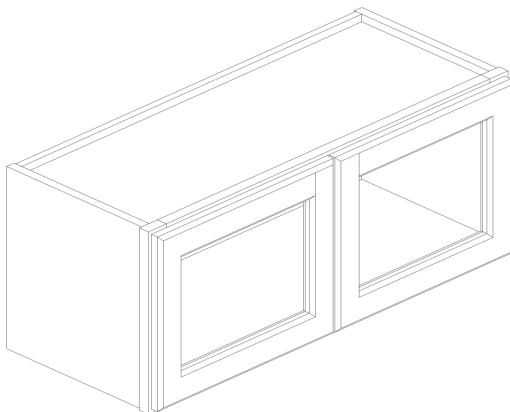
SINGLE GLASS DOOR
WALL CABINET



WxHxD	SKU
12"x12"x12"	W1212GD
15"x12"x12"	W1512GD
18"x12"x12"	W1812GD
21"x12"x12"	W2112GD

Modifications available.
Glass not included. Interior finished upon request.
Only available in LSW, LSE, LSG, AA, AB, AO.

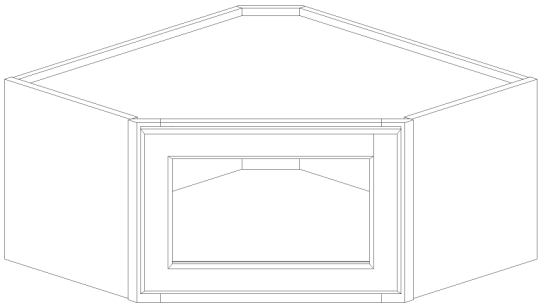
DOUBLE GLASS DOOR
WALL CABINET



WxHxD	SKU
12"x12"x12"	W2412GD
27"x12"x12"	W2712GD
30"x12"x12"	W3012GD
33"x12"x12"	W3312GD
36"x12"x12"	W3612GD

Modifications available.
Glass not included. Interior finished upon request.
Only available in LSW, LSE, LSG, AA, AB, AO.

DIAGONAL GLASS DOOR
WALL CABINET



WxHxD	SKU
24"x12"x24"	WDC2412GD

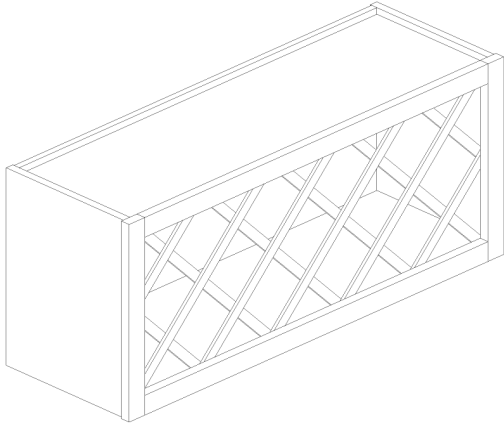
Modifications available.
Glass not included. Interior finished up request.
Only available in LSW, LSE, LSG, AA, AB, AO.

PRO TIP

Can't find the glass door size you are looking for? We can prep most doors for glass.
See the modification list on page 59.

WINE

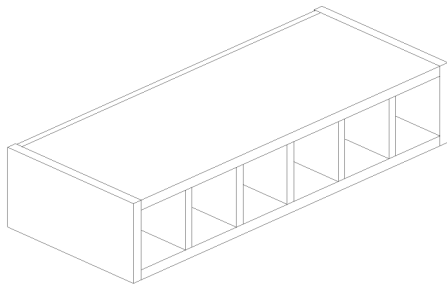
WALL CABINETS



WINE RACK

WxHxD	SKU
30"x15"x12"	WR3015
36"x15"x12"	WR3615

Comes standard with finished interior.



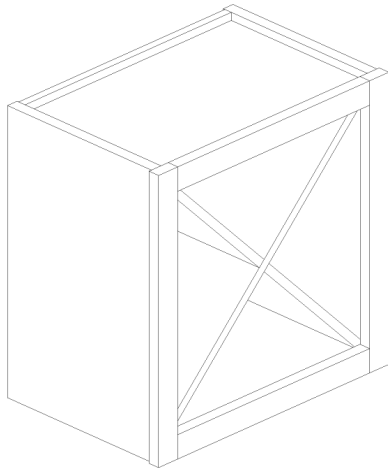
SLOTTED
CUBBIE

WxHxD	SKU
30"x6"x12"	WCW630

Comes standard with finished interior.

WINE

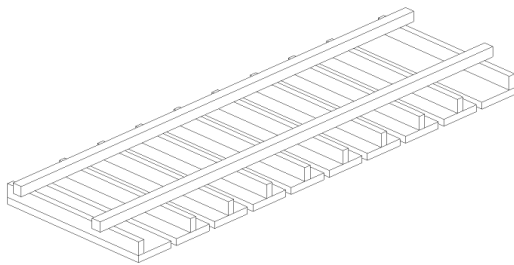
WALL CABINETS



X STORAGE

WxHxD	SKU
18"x18"x12"	WCX1818

Comes standard with finished interior.



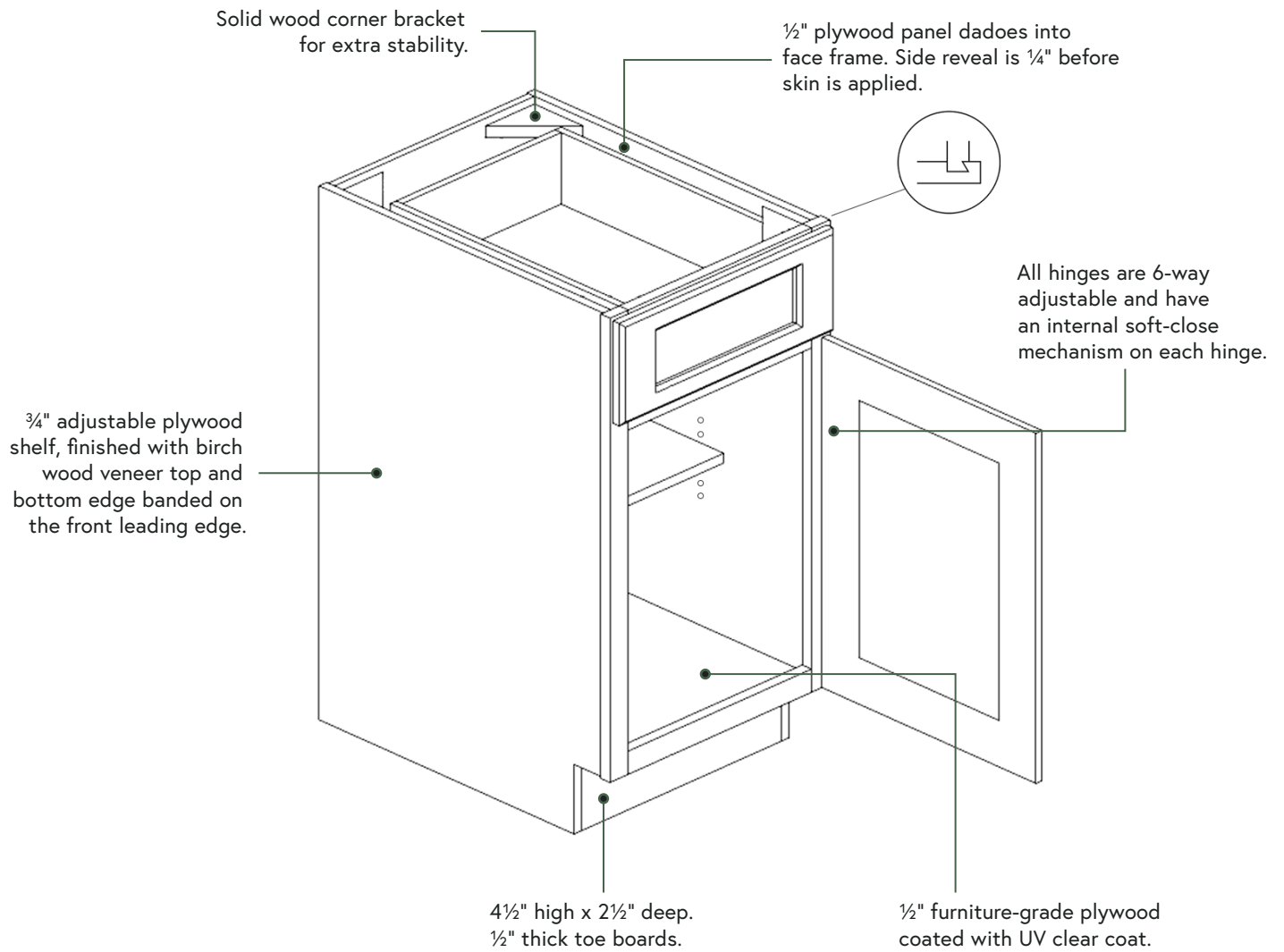
STEM GLASS
HOLDER

WxHxD	SKU
30"x1.5"x12"	SGH30
36"x1.5"x12"	SGH36



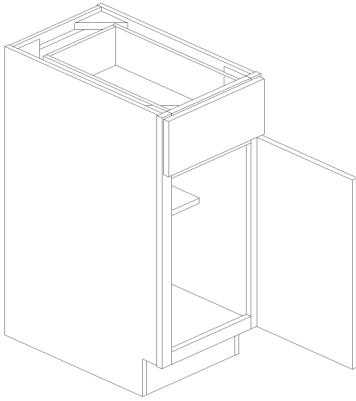
BASE CABINET DESIGN AND SPECIFICATIONS

BASE CABINET SPECIFICATIONS



BASE WITH DRAWER

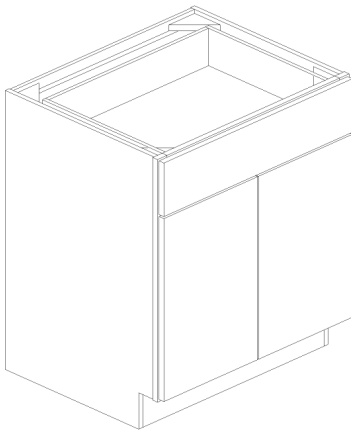
BASE CABINETS



SINGLE DOOR

WxHxD	SKU
12"x34.5"x24"	B12
15"x34.5"x24"	B15
18"x34.5"x24"	B18
21"x34.5"x24"	B21

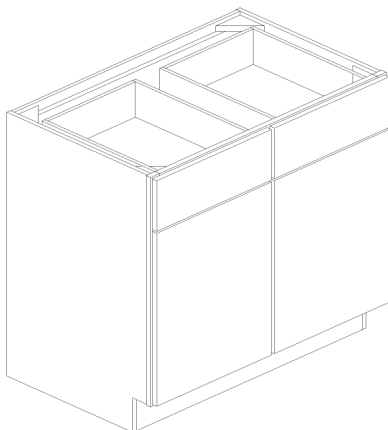
Modifications available.



DOUBLE DOOR,
SINGLE DRAWER

WxHxD	SKU
24"x34.5"x24"	B24
27"x34.5"x24"	B27
30"x34.5"x24"	B30
33"x34.5"x24"	B33
36"x34.5"x24"	B36

Modifications available.

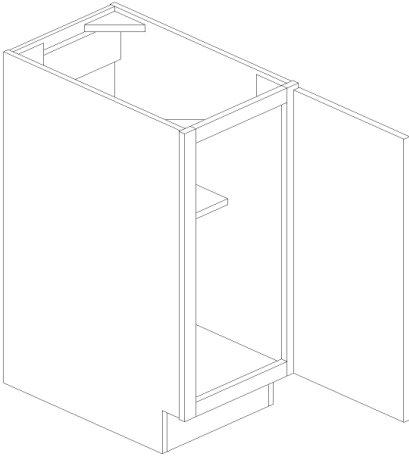


DOUBLE DOOR,
DOUBLE DRAWER

WxHxD	SKU
39"x34.5"x24"	B39
42"x34.5"x24"	B42

Modifications available.

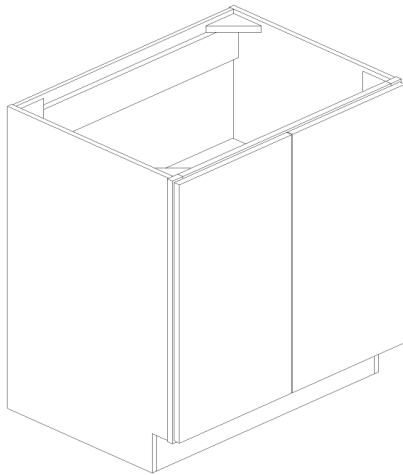
FULL HEIGHT DOOR BASE CABINETS



SINGLE DOOR

WxHxD	SKU
9"x34.5"x24"	B09FH
12"x34.5"x24"	B12FH
15"x34.5"x24"	B15FH
18"x34.5"x24"	B18FH
21"x34.5"x24"	B21FH

Modifications available.



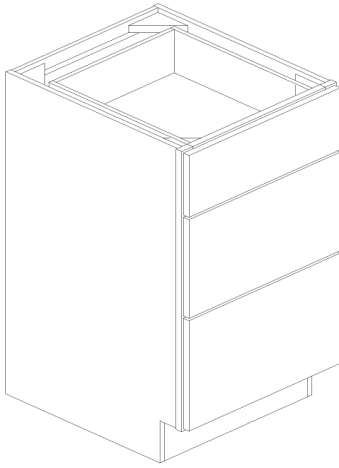
DOUBLE DOOR

WxHxD	SKU
24"x34.5"x24"	B24FH
27"x34.5"x24"	B27FH
30"x34.5"x24"	B30FH
33"x34.5"x24"	B33FH
36"x34.5"x24"	B36FH
39"x34.5"x24"	B39FH
42"x34.5"x24"	B42FH

Modifications available.

DRAWER

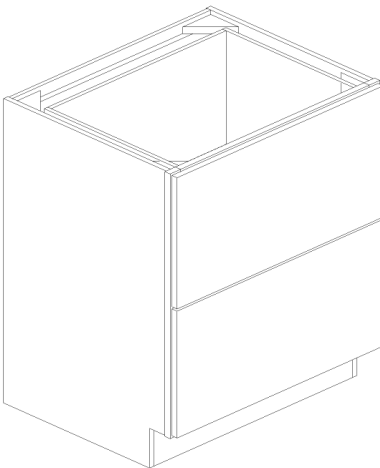
BASE CABINETS



THREE DRAWER

WxHxD	SKU
12"x34.5"x24"	3DB12
15"x34.5"x24"	3DB15
18"x34.5"x24"	3DB18
21"x34.5"x24"	3DB21
24"x34.5"x24"	3DB24
30"x34.5"x24"	3DB30
36"x34.5"x24"	3DB36

Modifications available.



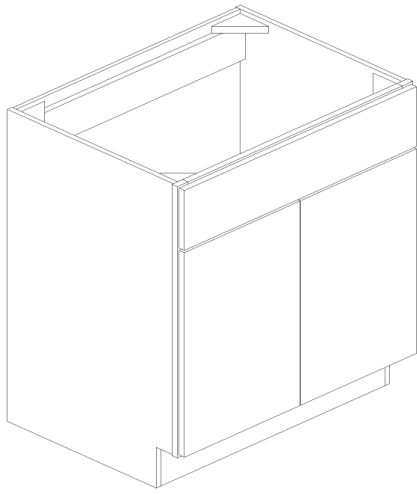
TWO DRAWER

WxHxD	SKU
30"x34.5"x24"	2DB30
36"x34.5"x24"	2DB36

Modifications available.

SINK

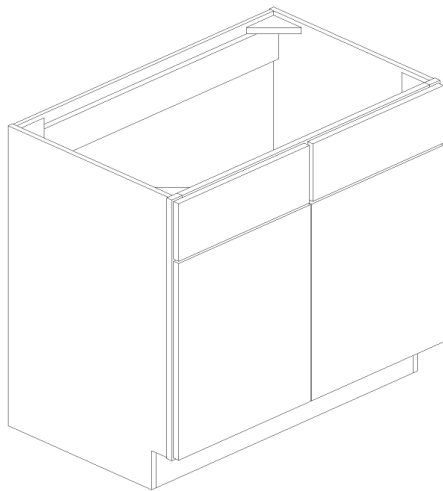
BASE CABINETS



DOUBLE DOOR,
SINGLE DRAWER

WxHxD	SKU
24"x34.5"x24"	SB24
30"x34.5"x24"	SB30
33"x34.5"x24"	SB33
36"x34.5"x24"	SB36

Modifications available.



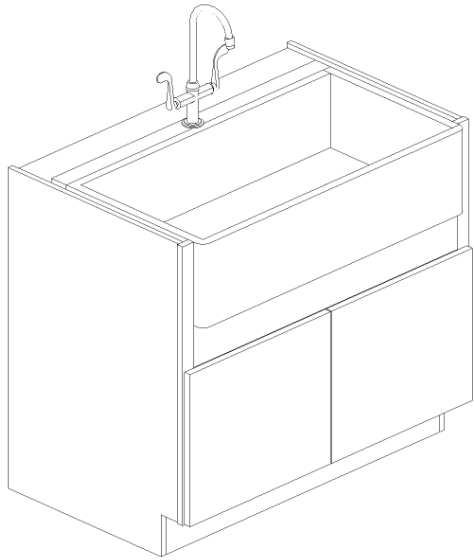
DOUBLE DOOR,
DOUBLE DRAWER

WxHxD	SKU
39"x34.5"x24"	SB39
42"x34.5"x24"	SB42

Modifications available.

FARM SINK

BASE CABINETS



FARM SINK

WxHxD	SKU
36"x34.5"x24"	FS36
39"x34.5"x24"	FS39

Modifications available.

Sink opening must be cut in field.

FS36 standard opening is 26" wide and can be cut up to 33" wide.

FS39 standard opening is 29" wide and can be cut up to 36" wide.

Trimable face is 10.75" high.

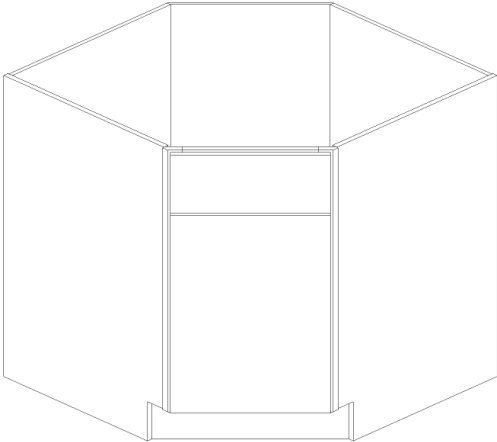
Doors are 19" high.

PRO TIP

Use a sharp blade and go slow when cutting farm sink opening to avoid excessive vibration that can cause joint splits. Order item SC—Scribe Molding to cover gaps where frame meets sink.

CORNER

BASE CABINETS

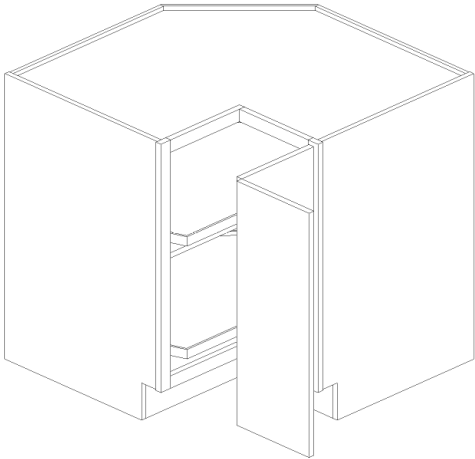


DIAGONAL SINK

WxHxD	SKU
36"x34.5"x36"	DSB36

Modifications available.

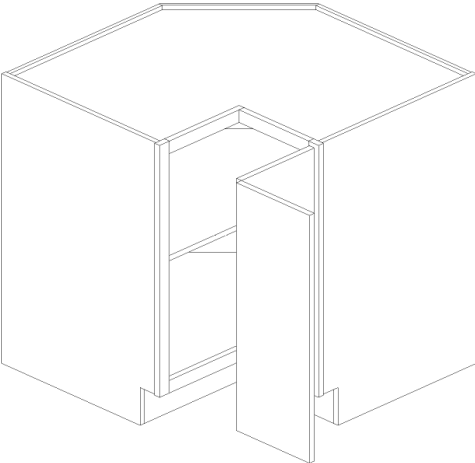
CORNER
BASE CABINETS



LAZY SUSAN

WxHxD	SKU
33"x34.5"x33"	LSB33
36"x34.5"x36"	LSB36

Modifications available.



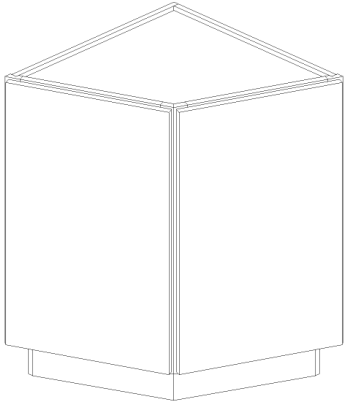
SQUARE CORNER

WxHxD	SKU
36"x34.5"x36"	BER36

Modifications available.

ANGLE END

BASE CABINETS

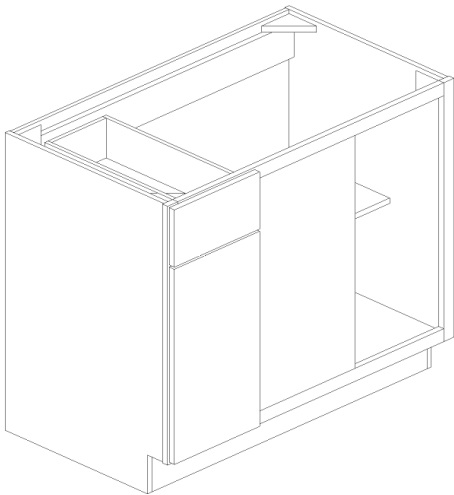


WxHxD	SKU
24"x34.5"x24"	BAE24

Modifications available.

BLIND

BASE CABINETS



WxHxD	SKU
39"x34.5"x24"	BLB39/42
42"x34.5"x24"	BLB42/45

Modifications available.
3" filler required adjacent to blind corner.
Right hinge cabinet shown.
Can be pulled up to 3" from wall.

TECHNICAL SPECS

BLB39/42

Door Opening 8.5"

Center Stile 19"

Blind Opening 8.5"

BLB42/45

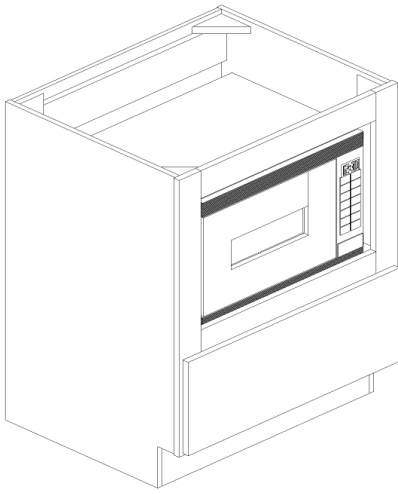
Door Opening 11.5"

Center Stile 16"

Blind Opening 11.5"

MICROWAVE

BASE CABINETS



TECHNICAL SPECS

BMD30

Microwave opening 24" wide x 16.5" high
3" stiles and rails surrounding microwave opening
Fixed shelf above drawer

WxHxD	SKU
30"x34.5"x24"	BMD30

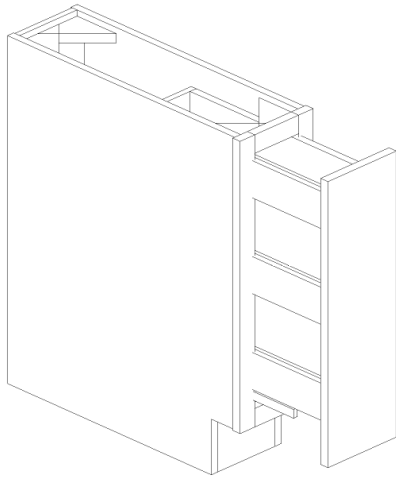
Modifications available.
Comes standard with finished interior.

PRO TIP

Check your microwave specs before ordering. Some microwave trim kits fit without modification to face frame. You may have to order item TF396–Tall Filler to trim around your microwave. All cutting and modifications are done in the field.

SPECIALTY

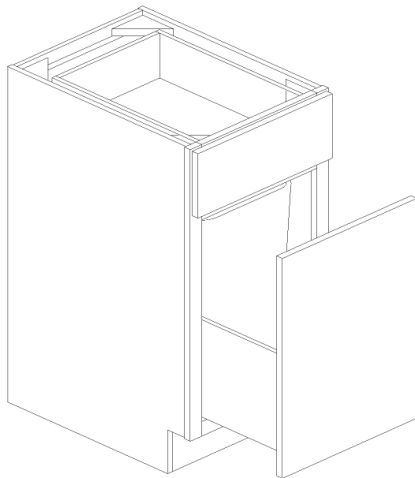
BASE CABINETS



SPICE RACK

WxHxD	SKU
9"x34.5"x24"	B09SP

Modifications available.
Does not come with soft-close mechanism.



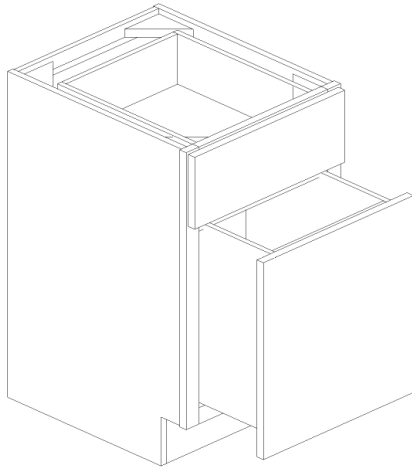
WASTE BASKET

WxHxD	SKU
18"x34.5"x24"	BWB18

Modifications available.
Does not come with soft-close mechanism.
Waste baskets (PRO-WB) sold separately;
holds two waste baskets.

SPECIALTY

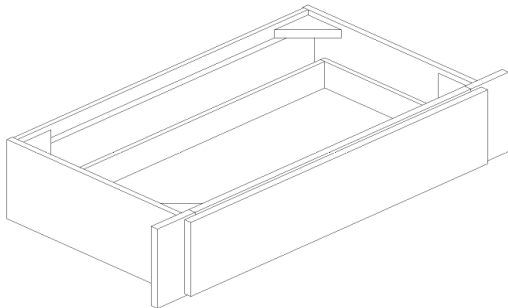
BASE CABINETS



FILE DRAWER

WxHxD	SKU
18"x30"x21"	FDB18

File hanging system not included.



VANITY KNEE
DRAWER

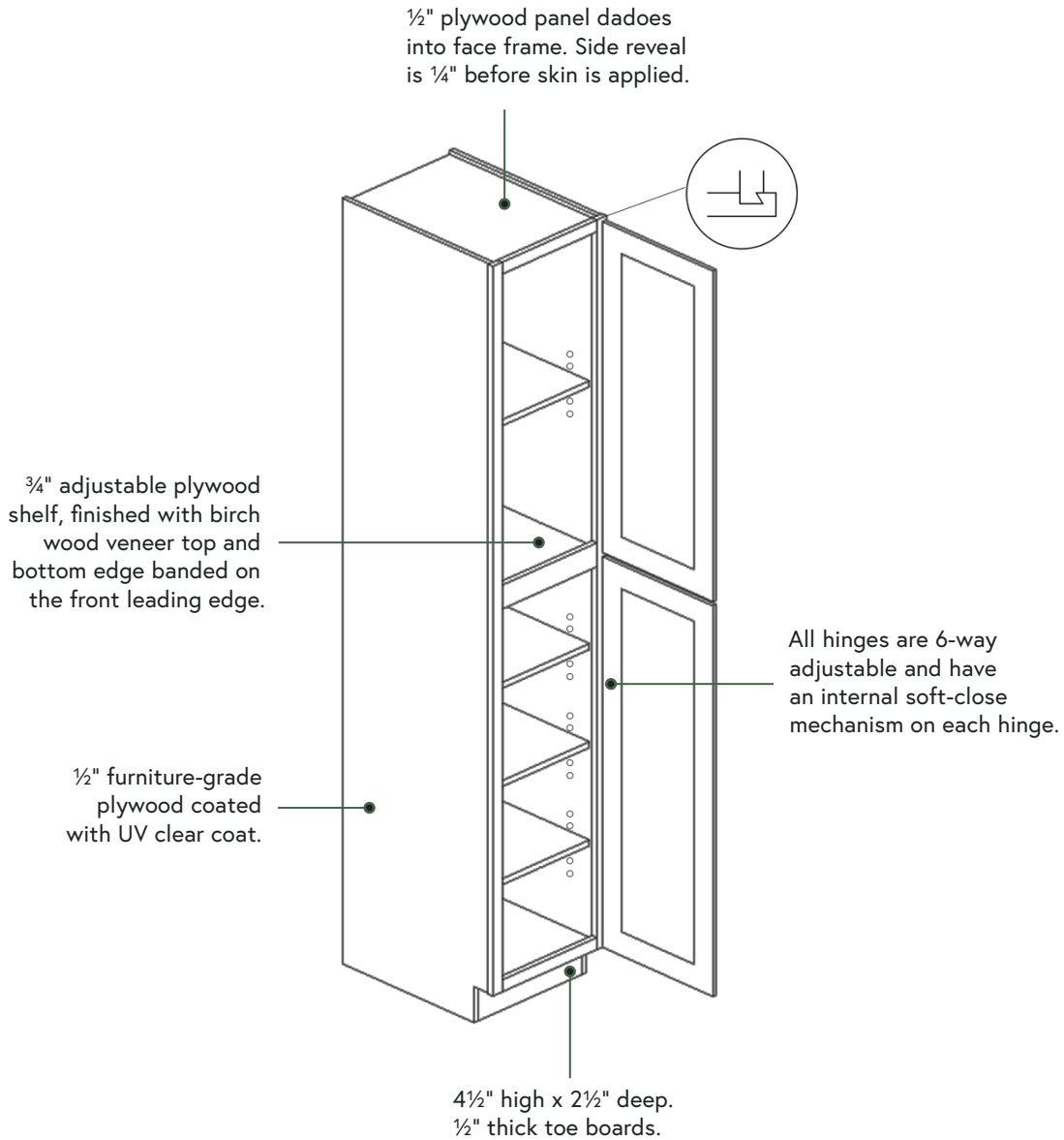
WxHxD	SKU
30/36"x7"x21"	KDC30/36

Overall size is 36" wide. 3" tabs can be cut to size.
Actual drawer face is 30".

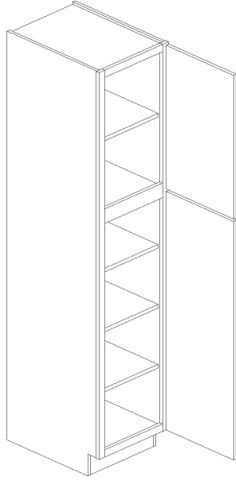


TALL CABINET DESIGN AND SPECIFICATIONS

TALL CABINET SPECIFICATIONS



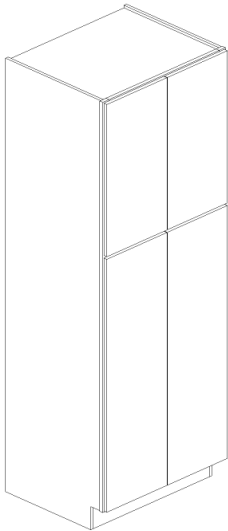
PANTRY



SINGLE DOOR

WxHxD	SKU
18"x84"x24"	TP188424
18"x90"x24"	TP189024
18"x96"x24"	TP189624

Modifications available.
 84" high and 90" high cabinets have four shelves.
 96" high cabinets have five shelves.



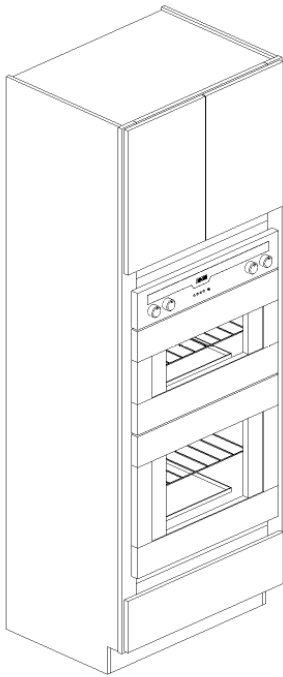
DOUBLE DOOR

WxHxD	SKU
24"x84"x24"	TP248424
24"x90"x24"	TP249024
24"x96"x24"	TP249624
30"x84"x24"	TP308424
30"x90"x24"	TP309024
30"x96"x24"	TP309624

Modifications available.
 84" high and 90" high cabinets have four shelves.
 96" high cabinets have five shelves.

OVEN

TALL CABINET



DOUBLE OVEN CABINET

TECHNICAL SPECS

Oven opening 29" wide x 49" high.
All cuts are done in field.
Not designed for single ovens or oven/
microwave combinations.

WxHxD	SKU
33"x84"x24"	OC338424
33"x90"x24"	OC339024
33"x96"x24"	OC339624

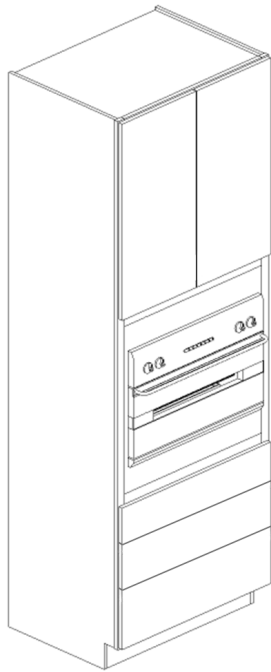
Modifications available.

PRO TIP

Check your appliance dimensions before ordering. You may need to order additional items (TF396–Tall Fillers and Item SC–Scribe Molding) to trim out oven in the opening. ProCraft is not responsible for ensuring your appliance will fit in this cabinet.

OVEN

TALL CABINET



SINGLE OVEN CABINET

WxHxD	SKU
33"x84"x24"	OCS3384-1
33"x84"x24"	OCS3384-2
33"x84"x24"	OCS3384-3
33"x90"x24"	OCS3390-1
33"x90"x24"	OCS3390-2
33"x90"x24"	OCS3390-3
33"x96"x24"	OCS3396-1
33"x96"x24"	OCS3396-2
33"x96"x24"	OCS3396-3

If ordering RTA (unassembled), your cabinet box will ship with all 3 drawers and you must remove them in the field.

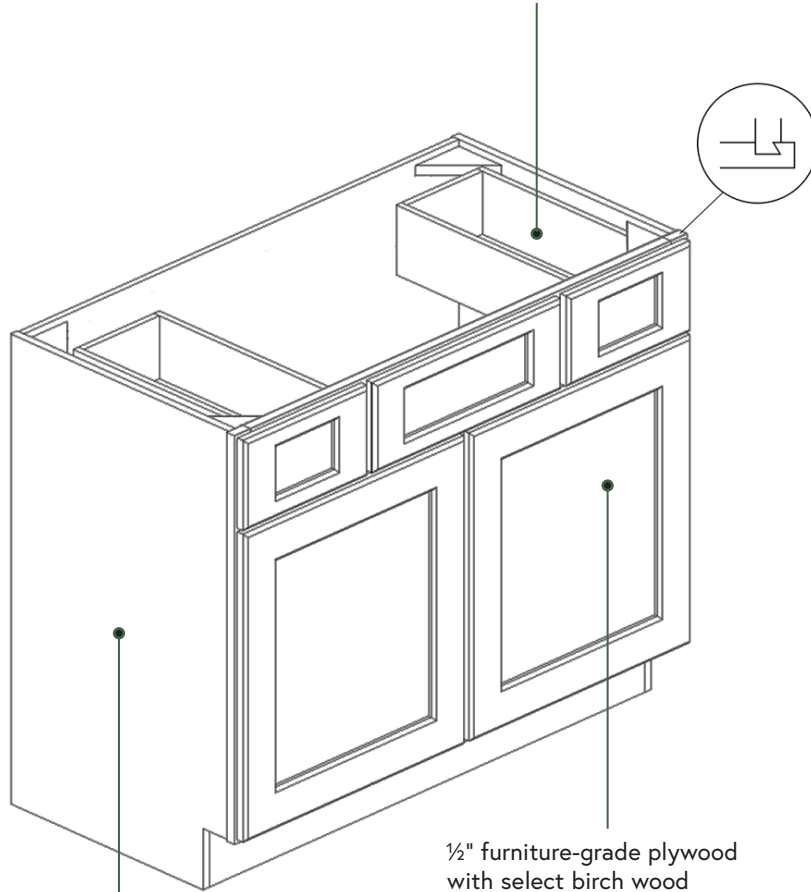
SKU	TOP DOORS	OVEN PANEL	TOP DRAWER	MIDDLE DRAWER	BOTTOM DRAWER
OCS338424-3	11"	31"	6.75"	10.75"	10.75"
OCS339024-3	17"	31"	6.75"	10.75"	10.75"
OCS339624-3	23"	31"	6.75"	10.75"	10.75"
OCS338424-2	11"	37.75"	N/A	10.75"	10.75"
OCS339024-2	17"	37.75"	N/A	10.75"	10.75"
OCS339624-2	23"	37.75"	N/A	10.75"	10.75"
OCS338424-1	11"	48.5"	N/A	N/A	10.75"
OCS339024-1	17"	48.5"	N/A	N/A	10.75"
OCS339624-1	23"	48.5"	N/A	N/A	10.75"



VANITY DESIGN AND SPECIFICATIONS

VANITY CABINET SPECIFICATIONS

5/8" solid wood dovetail construction on all sides of drawer box with UV clear coat on all exposed surfaces. Drawer glides are all steel construction soft-close mechanism.

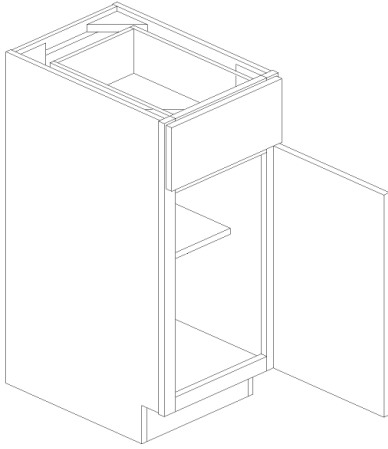


1 1/2" solid wood face frame with a unique semi-dovetail joinery that locks the side panel with the face frame. All other joinery is via dados, which interlock the components. All assembly is by pin and glue.

1/2" furniture-grade plywood with select birch wood veneer on both the interior and exterior, which is used for the top, bottom, and sides.

BASE WITH DRAWER

VANITY CABINETS

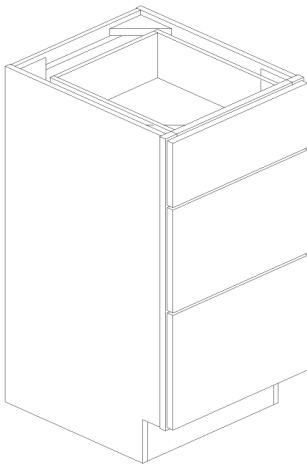


WxHxD	SKU
12"x34.5"x21"	VB12
15"x34.5"x21"	VB15

Modifications available.

DRAWER

VANITY CABINETS



WxHxD	SKU
12"x34.5"x21"	VDB12
15"x34.5"x21"	VDB15
18"x34.5"x21"	VDB18
24"x34.5"x21"	VDB24

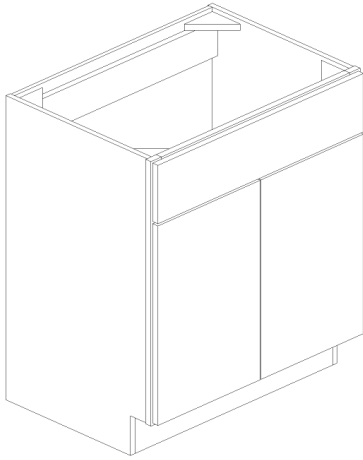
Modifications available.

PRO TIP

Looking for a 21" or 30" wide vanity drawer bank? Take a 3DB21 or 3DB30 and apply a reduced depth drawer charge (RDD) to get a 21" deep cabinet.

SINK

VANITY CABINETS

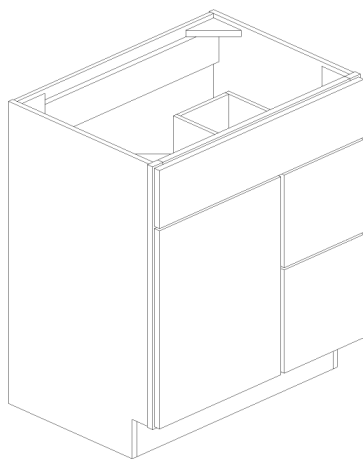


WxHxD	SKU
24"x34.5"x21"	VSB24
30"x34.5"x21"	VSB30
36"x34.5"x21"	VSB36

Modifications available.

SINK DRAWERS

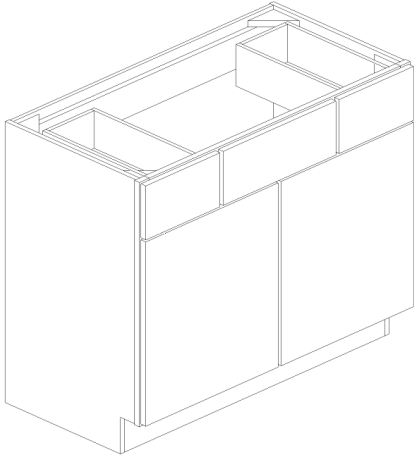
VANITY CABINETS



WxHxD	SKU
30"x34.5"x21"	VSD30L
30"x34.5"x21"	VSD30R
36"x34.5"x21"	VSD36L
36"x34.5"x21"	VSD36R

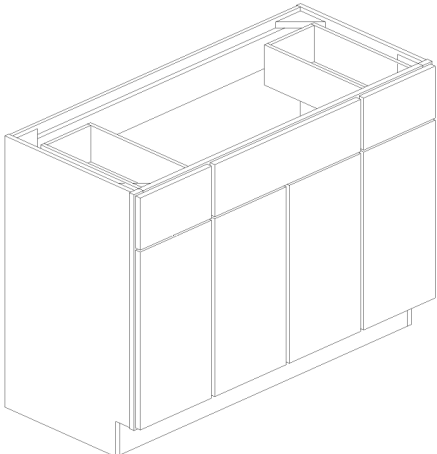
Modifications available. Right cabinet shown.

VANITY
CONSOLES



WxHxD	SKU
42"x34.5"x21"	VSD42

Modifications available.



WxHxD	SKU
48"x34.5"x21"	VSD48

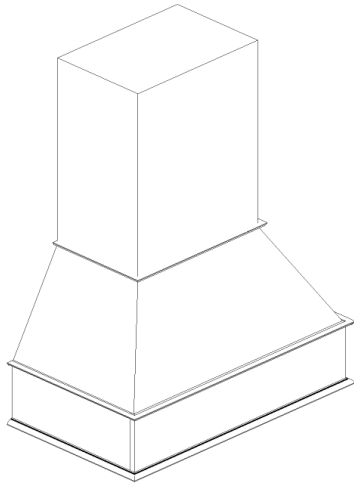
Modifications available.

ACCESSORIES

It's important to remember that the final embellishments can really bring a beautiful design together. Our accessories help put the final touches on your product selection.



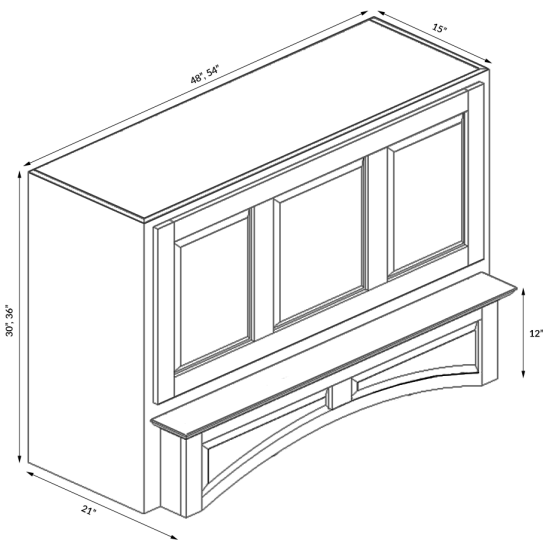
CHIMNEY HOOD ACCESSORIES



WxHxD	SKU
34.5"x53"x24"	CH36
40.5"x53"x24"	CH42

Ships in two boxes.
Chimney section is 30" high by 22" wide.
Interior dimensions: CH36: 30.75"x21.5"x8",
CH42: 36.75"x21.5"x8"

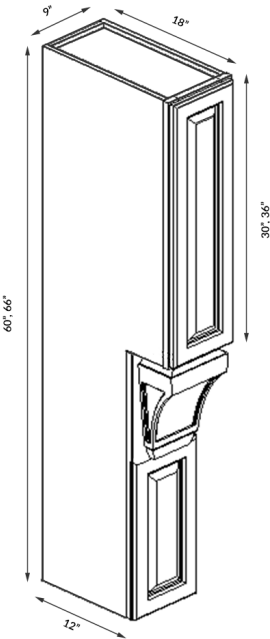
ARCHED HOOD



WxHxD	SKU
48"x30"x24"	RHA4830
48"x36"x24"	RHA4836
54"x30"x24"	RHA5430
54"x36"x24"	RHA5436

Only available in LSW, AA, AO, BG, and AB.

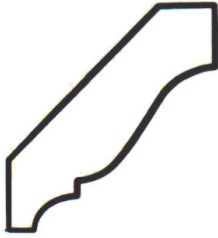
SPICE RACK HOOD



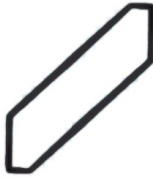
WxHxD	SKU
9"x60"x18"	HSR0960
9"x66"x18"	HSR0966

Only available in LSW, AA, AO, BG, and AB.
Lower section is a 30" high three-tiered pullout spice rack.

CROWN MOLDING

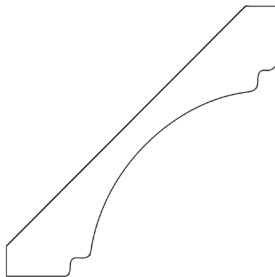


WxHxD	SKU
96"x3"x3"	CM-4



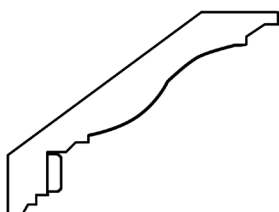
WxHxD	SKU
96"x3.5"x3.5"	CMM-4

Only available in LSW, LSE, and LSG.



WxHxD	SKU
96"x3.5"x3.5"	FCM

Only available in AA, AB, BG, ESC, NME, and LSG.

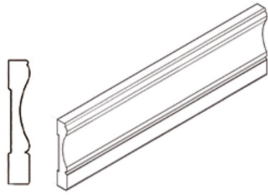


WxHxD	SKU
96"x3.5"x3.5"	DCM

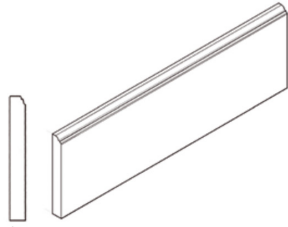
Only available in AO and SCN.

BASE

MOLDINGS



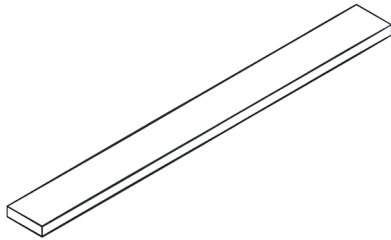
FBM8



OBM8

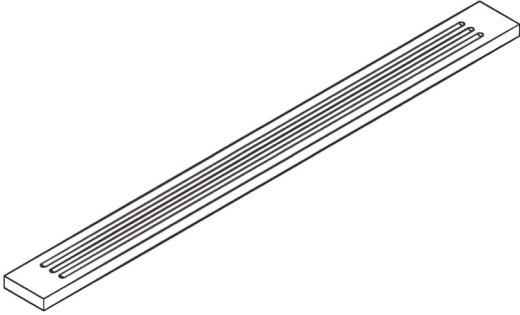
WxHxD	SKU
96"x4.5"x0.75"	FBM8
96"x6"x0.75"	OBM8

FILLERS



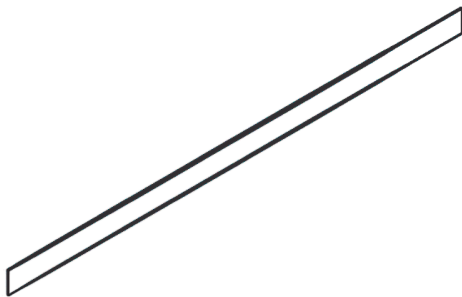
WxHxD	SKU
Wall Filler	
3"x30"x0.75"	WF330
3"x36"x0.75"	WF336
3"x42"x0.75"	WF342
6"x30"x0.75"	WF630
6"x36"x0.75"	WF636
6"x42"x0.75"	WF642
Tall Filler	
3"x96"x0.75"	TF396
6"x96"x0.75"	TF696

FLUTED FILLERS



WxHxD	SKU
3"x30"x0.75"	FF330
3"x36"x0.75"	FF336
3"x42"x0.75"	FF342
3"x96"x0.75"	FF396

TOE KICK FILLERS



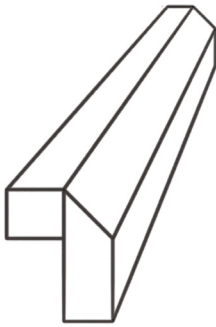
WxHxD	SKU
96"x4.5"x0.25"	TK96

PRO TIP

Try using an OCL—Outside Corner Molding to finish cut or exposed edges of toe kick for a clean, finished look.

LIGHT RAIL MOLDING

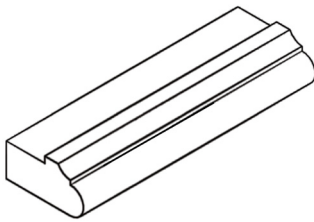
TRIMS



WxHxD	SKU
96"x2"x1.5"	LBMF

LIGHT VALANCE PROFILE

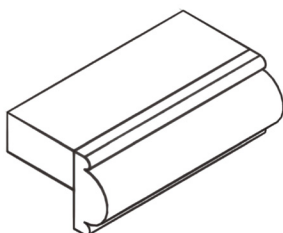
TRIMS



WxHxD	SKU
96"x0.75"x1.5"	LVP

LIGHT VALANCE BEADED

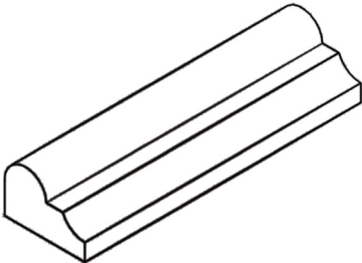
TRIMS



WxHxD	SKU
96"x1.5"x1.5"	LVB

CHAIR RAIL

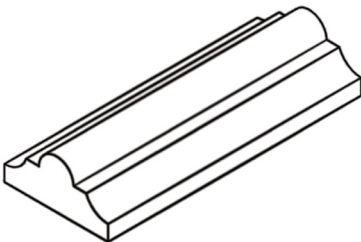
TRIMS



WxHxD	SKU
96"x1.5"x1.5"	CR

FURNITURE STRAIGHT

TRIMS



WxHxD	SKU
96"x0.75"x1.6"	FSM

SCRIBE

TRIMS



WxHxD	SKU
96"x0.75"x0.25"	SC

BATTEN
TRIMS



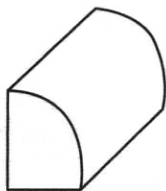
WxHxD	SKU
96"x0.75"x0.25"	BAM

OUTSIDE CORNER
TRIMS



WxHxD	SKU
96"x0.75"x0.75"	OCL

QUARTER ROUND
TRIMS



WxHxD	SKU
96"x0.75"x0.75"	QR

ARCHED PANEL
VALANCES



WxHxD	SKU
36"x9"x0.75"	AVAL36
48"x9"x0.75"	AVAL48

Can cut up to 2" off either side.

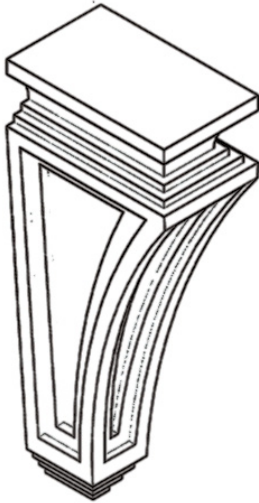
BEADED
VALANCES



WxHxD	SKU
42"x6"x0.75"	GBVAL42
60"x6"x0.75"	GBVAL60

Can cut up to 7.5" off either side.

CORBEL
STRUCTURAL



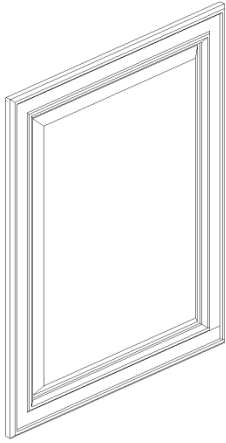
WxHxD	SKU
3"x12"x5"	CSS

POST
STRUCTURAL



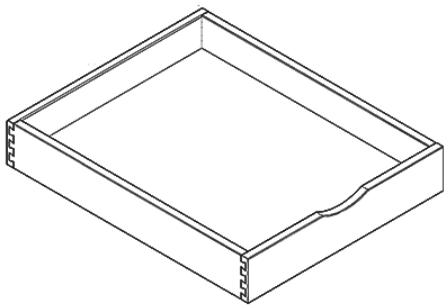
WxHxD	SKU
3"x34.5"x3"	SP34.5
3"x42"x3"	SP42

DECORATIVE
END PANEL



WxHxD	SKU
12"x30"x0.75"	WDD1230
12"x36"x0.75"	WDD1236
12"x42"x0.75"	WDD1242
23.5"x25.5"x0.75"	BDD23.5x25.5
23.5"x30"x0.75"	BDD23.5x30

ROLLOUT TRAY SET
ACCESSORIES



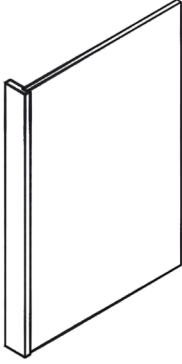
WxHxD	SKU
11"x4.25"x21"	ROT15
14"x4.25"x21"	ROT18
17"x4.25"x21"	ROT21
20"x4.25"x21"	ROT24
26"x4.25"x21"	ROT30
32"x4.25"x21"	ROT36

Modifications available.
Roll out ships loose.

PRO TIP

When purchasing rollout trays, match the ROT# to the cabinet width. For example, B24 accepts ROT24.

END
PANELS



WxHxD	SKU
24"x34.5"x3"	BEP3
24"x96"x3"	REP396
24"x96"x1.5"	REP1.596

Finished on both sides.

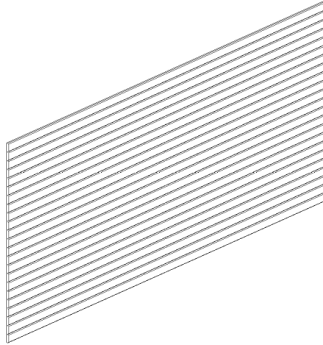
SIDE
FINISHED SKINS



WxHxD	SKU
12"x30"x0.25"	WS1230
12"x36"x0.25"	WS1236
12"x42"x0.25"	WS1242
24"x34.5"x0.25"	BS24
24"x96"x0.25"	TS2496

Dimensions listed are nominal.
Actual size is slightly smaller to fit behind face frame.

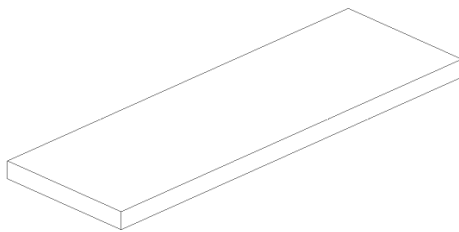
PLYWOOD PANELS



WxHxD	SKU
48"x96"x0.25"	BP4896.25
Edge Banded Panels	
48"x96"x0.75"	BP4896.75
24"x96"x0.75"	BP2496.75
Beaded	
48"x96"x0.25"	BBP4896.25

$\frac{3}{4}$ " panels are edge banded on 4 sides.

WALL FLOATING SHELF

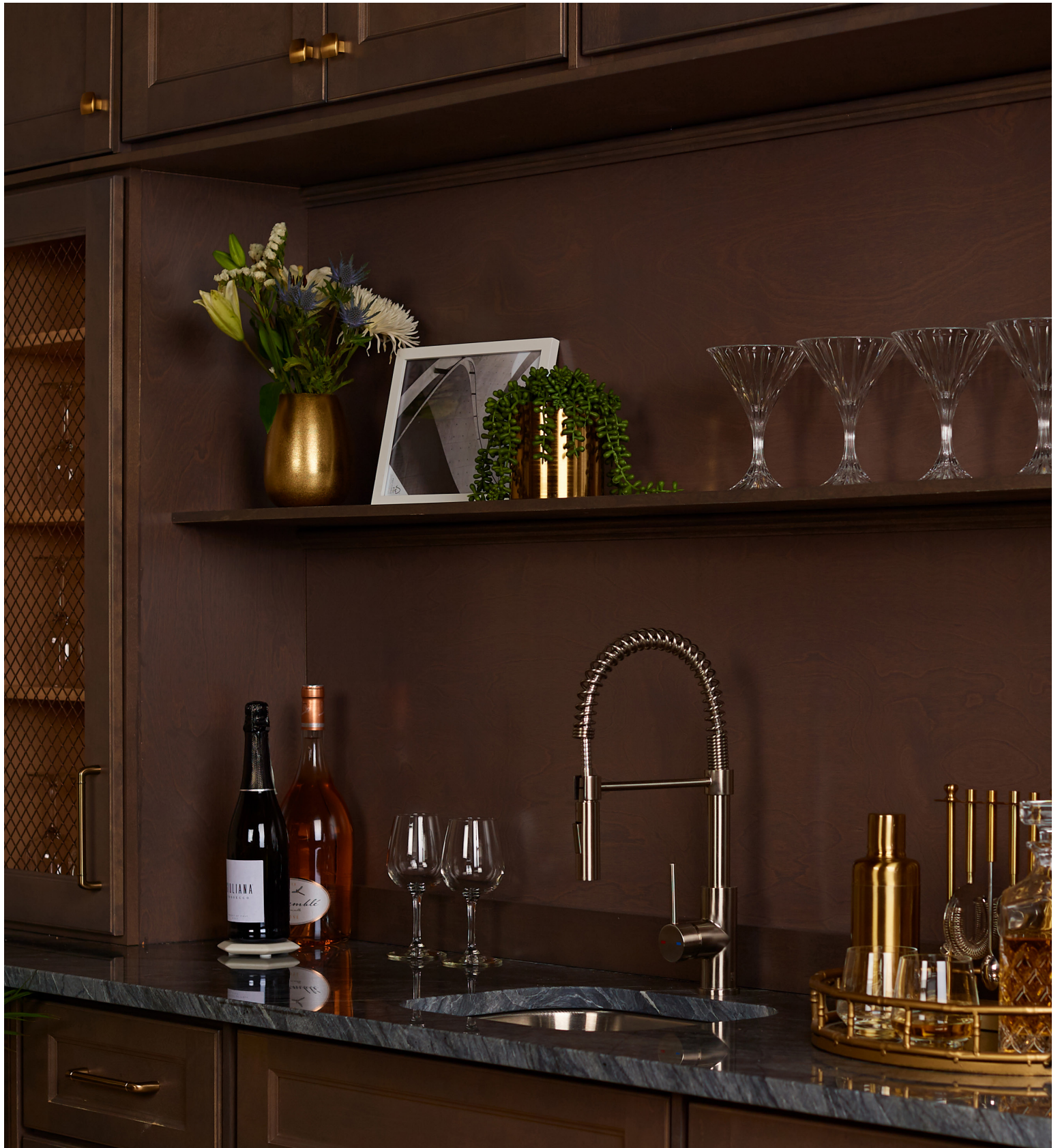


WxHxD	SKU
36"x1.5"x12"	WSF3612
48"x1.5"x12"	WSF4812

Includes mounting hardware.

PRO TIP

If cutting a shelf in width, make sure to butt one side against a wall or cabinet to cover the raw edge. Also be mindful of the support locations.



MODIFICATIONS

MODIFICATIONS

KEY

PFG	PREP FOR GLASS	RDB	REDUCE DEPTH BASE	SKIN	APPLY SKIN TO CABINETS
FIW	FINISH INTERIOR WALL	RDD	REDUCE DEPTH DRAWER	MBC	MAKE BENCH CABINET
FIT	FINISH INTERIOR TALL	RDW	REDUCE DEPTH WALL	VTD	VOID TOP DRAWER
IDW	INCREASE DEPTH WALL	RDT	REDUCE DEPTH TALL		
IDT	INCREASE DEPTH TALL	CTK	CUT TOE KICK		

SKU	RDD	RDW	RDT	IDW	IDT	CTK	FIW	FIT	PFG	MBC	VTD
2DB30	•					•				•	
2DB36	•					•				•	
3DB12	•					•				•	•
3DB15	•					•				•	•
3DB18	•					•				•	•
3DB21	•					•				•	•
3DB24	•					•				•	•
3DB30	•					•				•	•
3DB36	•					•				•	•
B09FH						•			•		
B09SP						•					
B12						•			•		•
B12FH						•			•		
B15						•			•		•
B15FH						•			•		
B18						•			•		•
B18FH						•			•		
B21						•			•		•
B21FH						•			•		
B24						•			•		
B24FH						•			•		
B27						•			•		•
B27FH						•			•		

MODIFICATIONS

SKU	RDD	RDW	RDT	IDW	IDT	CTK	FIW	FIT	PFG	MBC	VTD
B30						•			•		
B30FH						•			•		
B33						•			•		
B33FH						•			•		
B36						•			•		
B36FH						•			•		
B39						•			•		
B39FH						•			•		
B42						•			•		
B42FH						•			•		
BAE24						•					
BER36						•					
BMD30	•					•				•	
BLB39/42						•					
BLB42/45						•					
BWB18						•					
DSB36						•					
FDB18	•					•					
FS36						•			•		
FS39						•			•		
KDC30/36											
LSB33						•					
LSB36						•					
OC338424			•		•	•		•	•		
OC339024			•		•	•		•	•		
OC339624			•		•	•		•	•		
SB24						•			•		

MODIFICATIONS

SKU	RDD	RDW	RDT	IDW	IDT	CTK	FIW	FIT	PFG	MBC	VTD
SB30						•			•		
SB33						•			•		
SB36						•			•		
SB39						•			•		
SB42						•			•		
TP188424			•		•	•		•	•		
TP189024			•		•	•		•	•		
TP189624			•		•	•		•	•		
TP248424			•		•	•		•	•		
TP249024			•		•	•		•	•		
TP249624			•		•	•		•	•		
TP308424			•		•	•		•	•		
TP309024			•		•	•		•	•		
TP309624			•		•	•		•	•		
VB12						•			•		
VB15						•			•		
VDB12	•					•				•	
VDB15	•					•				•	
VDB18	•					•				•	
VDB24	•					•				•	
VS24						•			•		
VS30						•			•		
VS36						•			•		
VSD30L	•					•			•		
VSD30R	•					•			•		
VSD36L	•					•			•		
VSD36R	•					•			•		

MODIFICATIONS

SKU	RDD	RDW	RDT	IDW	IDT	CTK	FIW	FIT	PFG	MBC	VTD
VSD42		.				.			.		
VSD48		.				.			.		
W0930			
W0936			
W0942			
W1212GD		.		.			.				
W1230			
W1236			
W1242			
W1512GD		.		.			.				
W1530			
W1530GD		.		.			.				
W1536			
W1536GD		.		.			.				
W1542			
W1542GD		.		.			.				
W1812GD		.		.			.				
W1818			
W1830			
W1836			
W1842			
W2112GD		.		.			.				
W2130			
W2136			
W2142			
W2412GD		.		.			.				
W2430			

MODIFICATIONS

SKU	RDD	RDW	RDT	IDW	IDT	CTK	FIW	FIT	PFG	MBC	VTD
W2430GD		•		•			•				
W2436		•		•			•		•		
W2436GD		•		•			•				
W2442		•		•			•		•		
W2442GD		•		•			•				
W2712GD		•		•			•				
W2730		•		•			•		•		
W2736		•		•			•		•		
W2742		•		•			•		•		
W3012		•		•			•		•		
W3012GD		•		•			•				
W3015		•		•			•		•		
W3018		•		•			•		•		
W3021		•		•			•		•		
W3024		•		•			•		•		
W3030		•		•			•		•		
W3030GD		•		•			•				
W3036		•		•			•		•		
W3036GD		•		•			•				
W3042		•		•			•		•		
W3042GD		•		•			•				
W3312GD		•		•			•				
W3324		•		•			•		•		
W3330		•		•			•		•		
W3336		•		•			•		•		
W3342		•		•			•		•		
W3612		•		•			•		•		

MODIFICATIONS

SKU	RDD	RDW	RDT	IDW	IDT	CTK	FIW	FIT	PFG	MBC	VTD
W361224			
W3612GD		.		.			.				
W3615			
W361524			
W3618			
W361824			
W3621			
W362124			
W3624			
W362424			
W3630			
W3636			
W3642			
W3930			
W3936			
W3942			
W421224			
W4230			
W4236			
W4242			
W481224			
WBC3030			
WBC3036			
WBC3042			
WBC3630			
WBC3636			
WBC3642			

MODIFICATIONS

SKU	RDD	RDW	RDT	IDW	IDT	CTK	FIW	FIT	PFG	MBC	VTD
WDC2412GD		.		.			.				
WDC2418									.		
WDC2430							.		.		
WDC2430GD							.				
WDC2436							.		.		
WDC2436GD							.				
WDC2442							.		.		
WDC2442GD							.				
WDC273615							.		.		
WDC273615GD							.				
WDC274215							.		.		
WDC274215GD							.				
WSC2430							.		.		
WSC2436							.		.		
WSC2442							.		.		

MODIFICATIONS

NOTES

PFG	PREP FOR GLASS	On most cabinet doors we can remove the center panel and prepare the door to accept a glass panel. You must specify which door or doors. Glass is sold separately.
FIW	FINISH INTERIOR WALL	Most wall cabinets can have a finished interior. Top, back, sides and shelf will be finished to match the door finish.
FIT	FINISH INTERIOR TALL	Most tall cabinets can have a finished interior. Top, back, sides and shelves will be finished to match the door finish.
IDW	INCREASE DEPTH WALL	Most wall cabinets can be increased in depth. Specify your overall depth to front of face frame. Maximum depth is 30". Done in ½" increments.
IDT	INCREASE DEPTH TALL	Most tall cabinets can be increased in depth. Specify your overall depth to front of face frame. Maximum depth is 30". Done in ½" increments.
RDB	REDUCE DEPTH BASE	Most base cabinets can be reduced in depth. Specify your overall depth to front of face frame. Modified drawer boxes will not have dovetail joints at the back of the drawer. Minimum overall depth is 15". Done in ½" increments.
RDD	REDUCE DEPTH DRAWERS	Most drawer base cabinets can be reduced in depth. Specify your overall depth to front of face frame. Modified drawer boxes will not have dovetail joints at the back of the drawer. Minimum overall depth is 15". Done in ½" increments.
RDW	REDUCE DEPTH WALL	Most wall cabinets can be reduced in depth. Specify your overall depth to front of face frame. Minimum overall depth is 9". Done in ½" increments.
RDT	REDUCE DEPTH TALL	Most tall cabinets can be reduced in depth. Specify your overall depth to front of face frame. Minimum overall depth is 9". Done in ½" increments.
CTK	CUT TOE KICK	All base cabinets with toe kick can be cut down to 4½". Done in ½" increments.
SKIN	APPLY FINISH SKIN	Factory applied finished skin on ends of cabinets. Must specify right, left, or both ends. Skins are designed to fit behind back of face frame and flush with top and bottom of cabinet.
MBC	MAKE BENCH CABINET	Factory removed top two drawers on 3DB and top drawer on 2DB cabinets. Finished cabinet single drawer height for 3DB=16" and 2DB=19⅜".
VTD	VOID TOP DRAWER	Factory removed top drawer and drawer front re-attached to face frame. Drawer fronts attached similar to a sink base. Drawer front can also be shipped loose.

PROCRAFT ATLANTA

6684 Jimmy Carter Blvd, Suite 200, Norcross, GA 30071
p: 770.837.0909 | f: 770.837.0930
e: info@procraftatlanta.com

PROCRAFT CHICAGO

4620 Roosevelt Rd, Hillside, IL 60162
p: 708.234.1700 | f: 708.234.1701
e: info@procraftchicago.com

PROCRAFT DALLAS

2330 Alberta Dr, Suite 100, Dallas, TX 75229
p: 469.607.2588 | f: 469.480.2599
e: info@procraftdallas.com

PROCRAFT HOUSTON

4647 Pine Timbers St, Suite 100, Houston, TX 77041
p: 832.203.5860 | f: 832.649.3467
e: info@procrafthouston.com

PROCRAFT JACKSONVILLE

4030 Philips Hwy, Jacksonville, FL 32207
p: 904.868.3678 | f: 754.212.2270
e: info@procraftjacksonville.com

PROCRAFT MIAMI

1850 S Powerline Rd, Deerfield Beach, FL 33442
p: 754.212.2277 | f: 754.212.2270
e: info@procraftmiami.com

PROCRAFT NASHVILLE

429 McNally Dr, Nashville, TN 37211
p: 615.528.0399 | f: 615.528.0311
e: info@procraftcabinetry.com

PROCRAFT PHOENIX

1030 E. University Dr, Phoenix, AZ 85034
p: 602-753-3663 | f: 602-492-9697
e: info@procraftphoenix.com

PROCRAFT SEATTLE

20848 84th Ave S, Kent, WA 98032
p: 253.236.8608 | f: 253.236.8815
e: info@procraftseattle.com

